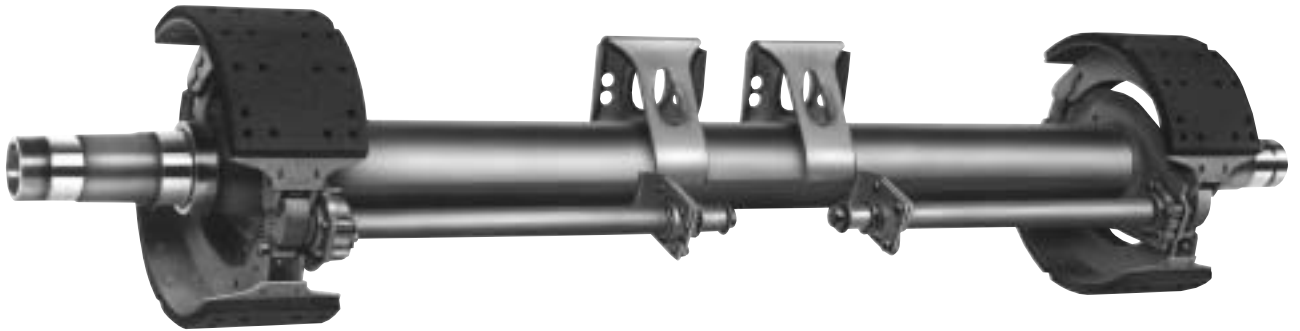


Product **Up** **UD-72** **date**

October 1999

TRAILER AXLES



The most popular trailer axles are now available from Euclid, including:

- 22,500, 25,000, and 30,000 pound ratings
- 71.5" and 77.5" tracks
- With or without "Q" or "Q PLUS" brakes

All axles include:

- Installed spiders and air chamber brackets
- Spindle nuts and washers
- 28 spline camshafts
- ABS sensor mounting blocks

See reverse side for complete specifications.



EUCLID INDUSTRIES, LLC • 6660 BETA DRIVE • CLEVELAND, OHIO 44143-2321 • (440) 461-4300
EUCLID INDUSTRIES CANADA LTD. • TORONTO • EDMONTON • MONTREAL • VANCOUVER

TRAILER AXLES

EUCLID PART NUMBER	TRACK LENGTH	WALL THICKNESS	BEAM CAPACITY	CAM LENGTH	BRAKE SIZE	LINING
AXLES BELOW ARE BEAMS WITH CAMS ONLY						
TN Beams with Cams						
TN4671NR1200	71.5"	1/2"	22,500 lbs.	20.5"	16 1/2"	N/A
TN4671NR7200	77.5"	1/2"	22,500 lbs.	20.5"	16 1/2"	N/A
TQ Beams with Cams						
TQ4671NR1300	71.5"	5/8"	25,000 lbs.	24.14"	16 1/2"	N/A
TQ4671NR7300	77.5"	5/8"	25,000 lbs.	24.14"	16 1/2"	N/A
TQ9671NR1300	71.5"	3/4"	30,000 lbs.	24.14"	16 1/2"	N/A
TQ9671NR7300	77.5"	3/4"	30,000 lbs.	24.14"	16 1/2"	N/A
AXLES BELOW INCLUDE "Q" BRAKES						
TN Beams with Brakes						
TN4671QR1250	71.5"	1/2"	22,500 lbs.	20.5"	16 1/2" x 7"	MA212
TN4671QR7250	77.5"	1/2"	22,500 lbs.	20.5"	16 1/2" x 7"	MA212
TN4271QR1220	71.5"	1/2"	22,500 lbs.	20.5"	12 1/4" x 7"	R301
TN4271QR7220	77.5"	1/2"	22,500 lbs.	20.5"	12 1/4" x 7"	R301
TQ Beams with Brakes						
TQ4671QR1350	71.5"	5/8"	25,000 lbs.	24.14"	16 1/2" x 7"	MA212
TQ4671QR7350	77.5"	5/8"	25,000 lbs.	24.14"	16 1/2" x 7"	MA212
TQ4271QR1320	71.5"	5/8"	25,000 lbs.	24.14"	12 1/4" x 7"	R301
TQ4271QR7320	77.5"	5/8"	25,000 lbs.	24.14"	12 1/4" x 7"	R301
TP Beams with Brakes						
TP4671QR1250	71.5"	1/2"	22,500 lbs.	20.5"	16 1/2" x 7"	MA212
TP4671QR7250	77.5"	1/2"	22,500 lbs.	20.5"	16 1/2" x 7"	MA212
TP8671QR1350	71.5"	5/8"	25,000 lbs.	24.14"	16 1/2" x 7"	MA212
TP8671QR7350	77.5"	5/8"	25,000 lbs.	24.14"	16 1/2" x 7"	MA212
AXLES BELOW INCLUDE "Q PLUS" BRAKES						
TN Beams with Brakes						
TN4671LR1250	71.5"	1/2"	22,500 lbs.	20.5"	16 1/2" x 7"	MA212
TN4671LR7250	77.5"	1/2"	22,500 lbs.	20.5"	16 1/2" x 7"	MA212
TQ Beams with Brakes						
TQ4671LR1350	71.5"	5/8"	25,000 lbs.	24.14"	16 1/2" x 7"	MA212
TQ4671LR7350	77.5"	5/8"	25,000 lbs.	24.14"	16 1/2" x 7"	MA212
TP Beams with Brakes						
TP4671LR1250	71.5"	1/2"	22,500 lbs.	20.5"	16 1/2" x 7"	MA212
TP4671LR7250	77.5"	1/2"	22,500 lbs.	20.5"	16 1/2" x 7"	MA212
TP8671LR1350	71.5"	5/8"	25,000 lbs.	24.14"	16 1/2" x 7"	MA212
TP8671LR7350	77.5"	5/8"	25,000 lbs.	24.14"	16 1/2" x 7"	MA212

Above Axles Include:

Welded spiders
 Air chamber brackets
 Spindle nuts and washers
 Brake assemblies where noted
 28 spline "Q PLUS" camshafts
 ABS sensor mounting blocks

Suspension Application:

TN series = Spring
 TQ Series = Air
 TP4 Series = Spring
 TP8 Series = Air

